

Verint V4445 Modular Camera System



Key Features:

- 4MP & 5MP
- Up to 180 degree Field of View
- Small discreet camera modules with frame rates up to 30FPS
- 4 camera module options:
 - 4MP WDR Pinhole
 - 4MP WDR Pinhole Slim
 - 5MP WDR Fisheye
 - 5MP WDR Fisheye Slim
- WDR for Improved Visibility in high contrast scenes
- Simultaneous Power Redundancy
- AdaptiveStream to Optimize Bandwidth Efficiency
- 802.3af Class 0 POE
- ONVIF Profile S
- MicroSD Card Slot

Verint V4445 Modular Camera System

The V4445 features a separate camera unit and video core design connected by a five-meter cable. Separating the Video processing electronics from the camera allows the imager size to be reduced and as a result the camera modules can be installed just about anywhere.

The V4445 features a separate camera unit and video core design connected by a 5 meter cable, the camera module can be installed just about anywhere, thus preserving stylish appearances while dramatically saving on installation time and cost.

The 4445 offers four camera module choices, A 4MP Pinhole and 4MP Pinhole Slim that provides a 90-degree field of view and a 5MP Wide and Wide Slim that have a horizontal and vertical 180 degree field of view. The camera system incorporates several advanced features including WDR, Back light compensation, Digital noise reduction, simultaneous power redundancy using POE and DC12V, and a MicroSD slot for onboard storage. The V4445 offers a unique design that allows the camera units to be installed in discreet areas but still capture high resolution sharp clear images in high-contrast scenes, and with a variety of mounting options available, the V4445 is the most versatile camera solution we offer where a small camera is needed.

Most importantly the V4445 is fully integrated into our Verint EdgeVR® platform making it easy to adjust and maintain over its life. The camera also features easy installation with Auto Camera Config, Remote Password and Firmware Update, HTTPS support for secure connections, integrated camera image adjustment and more.

VERINT®

V4445 Technical Specifications

VIDEO CORE

SYSTEM INFORMATION	
On-board Storage	Seamless Recording to MicroSD/SDHC/SDXC card (1TB capacity supported) and recording to network-attached storage (NAS)
VIDEO	
Compression	H.265, H.264
Video Source	1 camera unit (Video core and camera module)
Maximum Streams	3 video streams (Up to 8 configurable profiles)
Video Streaming	Adjustable resolution, quality and constant bit rate control
Image Settings	<p><i>General settings:</i> video title and time stamp overlay, video orientation</p> <p><i>Image settings:</i> white balance, image adjustment (brightness, contrast, saturation, sharpness, defog, 3DNR)</p> <p><i>Exposure:</i> BLC, HLC, exposure control (exposure level, exposure time, gain control) AE speed adjustment, WDR; privacy masking; Pixel calculator</p>
AUDIO	
Audio Capability	Two-Way Audio (full duplex)
Compression	G.711, G.726
Interface	External microphone input External line output
NETWORK	
Users	Live viewing for up to 10 clients
Security	Access list, digest authentication, HTTPS, IEEE 802.1x, Password protection, secure boot, signed firmware, user access log, user account management, CSRF protection
Protocols	802.1X, ARP, Bonjour, CIFS/SMB, CoS, DDNS, DHCP, DNS, FTP/SFTP, HTTP, HTTPS, ICMP, IGMPv 3, IPv 4, IPv 6, NTCIP, NTP, PPPoE, QoS, RTSP/RTP/RTCP, SMTP, SNMP, SSL, TCP/IP, TLS, UDP, UPnP
Interface	ARP, DHCP, DNS, FTP, HTTP, HTTPS, ICMP, IGMP, IPv4/6, LDAP, NTP, RTSP/RTCP/RTP, QoS, SMTP, SNMP v1/2c/3, TCP, TLS/TTLS, UDP, UPnP, 802.1X, Bonjour, SNMP v1/2c/3, DDNS, PPPoE
ONVIF	Profile S, G, T

SOLUTION INTEGRATION	
Smart Motion Detection	Five-window video motion detection
ALARM AND EVENT	
Alarm Triggers	Audio detection, camera tampering detection, digital input, manual trigger, motion detection, periodical trigger, recording notification, SD card life expectancy, system boot
Alarm Events	Event notification via audio clip, camera link, digital output, email, HTTP, FTP/SFTP, NAS server, SD card, push notification. File upload via email, HTTP, FTP/SFTP, NAS server, SD card.
GENERAL	
Connectors	RJ-45 cable connector for 10/100Mbps Network/PoE connection, Audio line input, Audio line output, DC 12V power input, Digital input *1, Digital output *1 (12V, 50mA)
LED Indicator	System power and status indicator
Power Input	DC 12V, IEEE 802.3af PoE Class 0 Simultaneous Power Redundancy Supported
Power Consumption	Max. 8.5 W
Dimensions	105 (W) x 84 (D) x 30 (H) mm
Weight	190 g
Compliance	NDAA Compliant
Operating Temperature	<p><i>Starting Temperature:</i> 0°C ~ 50°C (32°F ~ 122°F)</p> <p><i>Working Temperature:</i> -10°C ~ 50°C (14°F ~ 122°F)</p>
Humidity	90% RH (non-condensing)
Warranty	36 months
SYSTEM REQUIREMENTS	
Web Browser	Chrome 58.0 or above, Internet Explorer 10/11
Other	VLC: 1.1.11 or above
INCLUDED ACCESSORIES	
Packing Contents	Quick installation guide, installation kit
CERTIFICATIONS	
	UL/CB/CE/FCC/LVD/UKCA

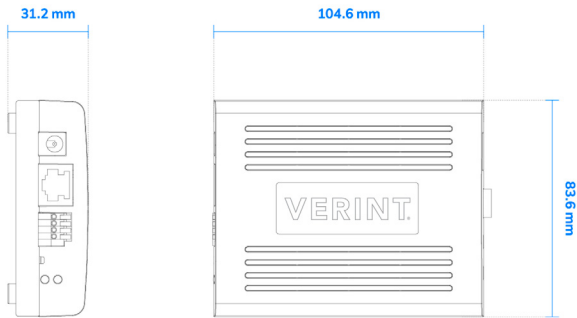
CAMERA UNITS

MODEL	V4445-CAM-P(S) – PINHOLE	V4445-CAM-W(S) – FISHEYE CAMERA
Image Sensor	1/2.7" Progressive CMOS	
Maximum Resolution	30 fps @ 2688x1520	30 fps @ 1920x1920
Focal Length	f = 3.7 mm	f = 1.22 mm
Aperture	F2.5	F2.0
Field of View	93° (Horizontal), 48° (Vertical), 117° (Diagonal)	180° (Horizontal), 180° (Vertical), 180° (Diagonal)
Shutter Time	1/5 sec. to 1/32,000 sec.	
WDR Technology	WDR Pro	
Minimum Illumination	0.045 lux @ F2.5 (Color)	0.035 lux @ F2.0 (Color)
Pan/Tilt/Zoom Functionalities	ePTZ: 48x digital zoom (4x on IE plug-in, 12x built-in)	
S/N Ratio	55.9 dB	56.3 dB
Dynamic Range	120 dB	
Dimensions	V4445-CAM-P: Ø 24 x 30 mm (Without cable) V4445-CAM-P-S: 33 x 32 x 20 mm (Without cable)	V4445-CAM-W: Ø 24 x 37 mm (Without cable) V4445-CAM-W-S: 33 x 32 x 28 mm (Without cable)
Weight	V4445-CAM-P: 19g V4445-CAM-P-S: 43g	V4445-CAM-W: 28g V4445-CAM-W-S: 52g
Operating Temperature	<p><i>Starting Temperature:</i> 0°C ~ 50°C (32°F ~ 122°F)</p> <p><i>Working Temperature:</i> -10°C ~ 50°C (14°F ~ 122°F)</p>	
Humidity	90% RH (non-condensing)	

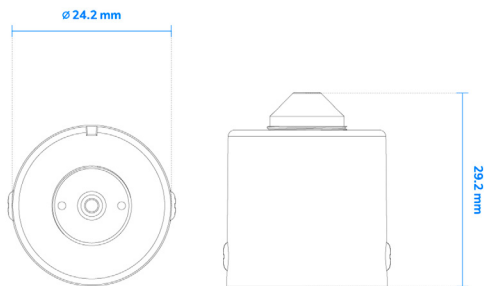
V4445 Technical Specifications

DIMENSIONS

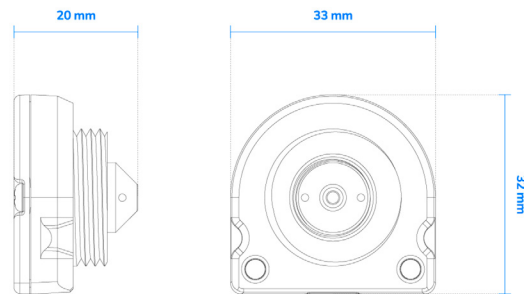
V4445-CORE



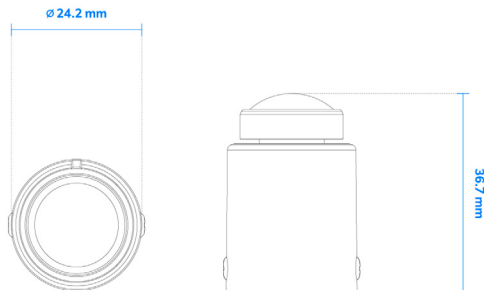
V4445-CAM-P



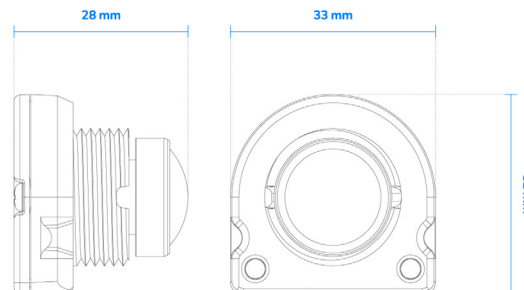
V4445-CAM-P-S



V4445-CAM-W



V4445-CAM-W-S



Learn more about Verint V4445
at www.verint.com

The Customer Engagement Company™

Americas

info@verint.com
+1 770 754 1900
1-800-4VERINT

Europe, Middle East & Africa

info.emea@verint.com
+44(0) 1932 839500

Asia Pacific

info.apac@verint.com
+(852) 2797 5678



verint.com



twitter.com/verint



linkedin.com/company/verint



verint.com/blog